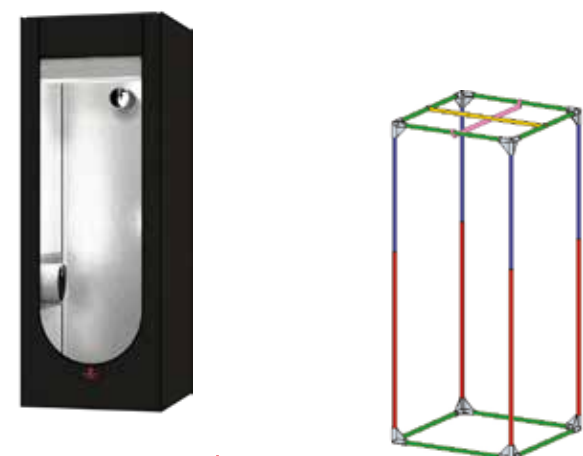


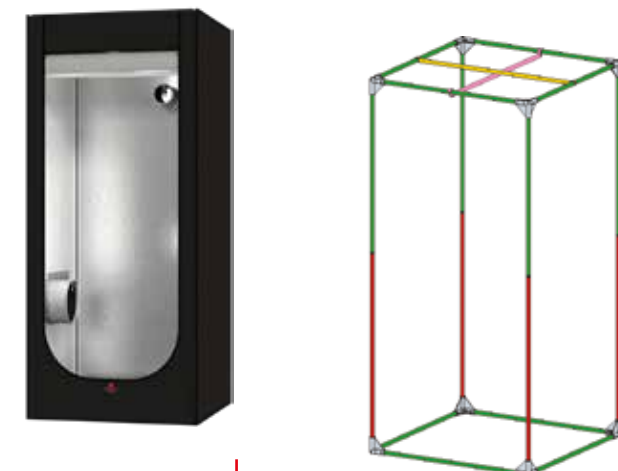
Structure Assembly HS60



- x8 C16-Y
- x4 HS16-A
- x8 HS16-M
- x4 HS16-C
- x1 HS16-JL
- x1 HS16-JH

Reference	HS60
Dimensions	60 x 60 x 160cm
Windows	x1 30 x 20cm
Extraction	x1 Ø150mm
Intraction	x1 Ø150mm
Cable Socks	x1 Ø75mm

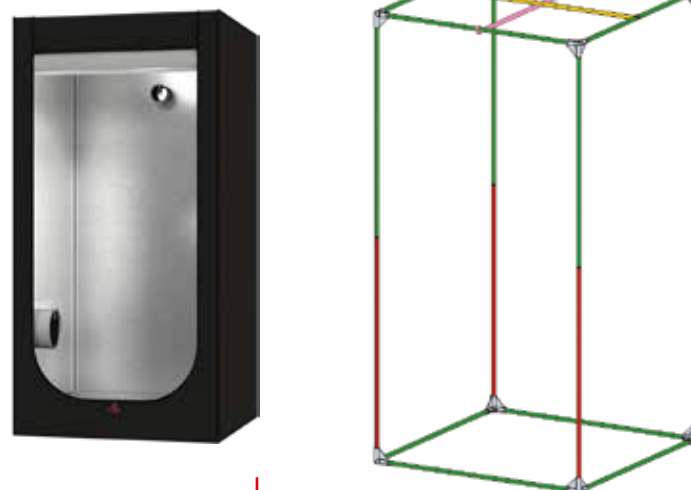
Structure Assembly HS80



- x8 C16-Y
- x12 HS16-A
- x4 HS16-E
- x1 HS16-GL
- x1 HS16-GH

Reference	HS80
Dimensions	80 x 80 x 180cm
Windows	x1 30 x 20cm
Extraction	x1 Ø180mm
Intraction	x1 Ø180mm
Cable Socks	x1 Ø75mm

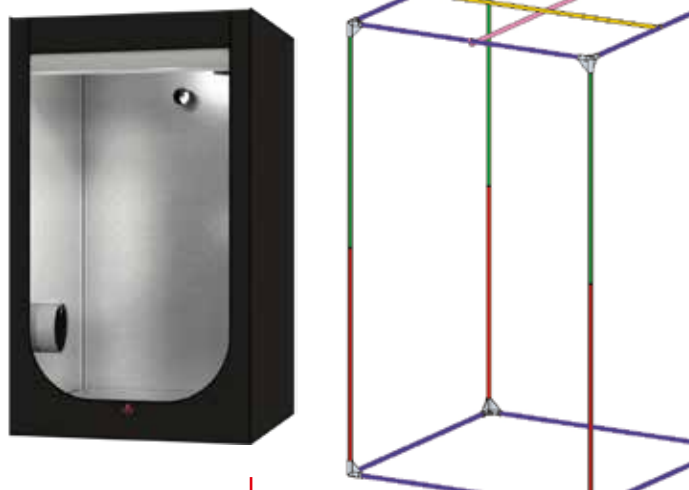
Structure Assembly HS100



- x8 C16-Y
- x12 HS16-D
- x4 HS16-E
- x1 HS16-HL
- x1 HS16-HH

Reference	HS100
Dimensions	100 x 100 x 200cm
Windows	x1 30 x 20cm
Extraction	x1 Ø180mm
Intraction	x1 Ø180mm
Cable Socks	x1 Ø75mm

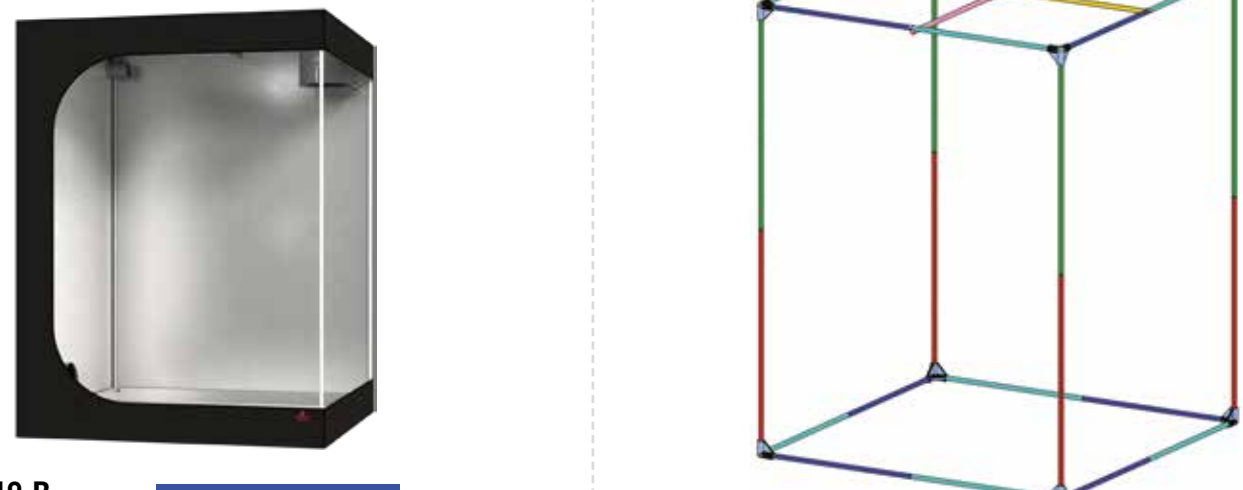
Structure Assembly HS120



- x8 C16-Y
- x8 HS16-F
- x4 HS16-D
- x4 HS16-E
- x1 HS16-IL
- x1 HS16-IH

Reference	HS120
Dimensions	120 x 120 x 200cm
Windows	x1 30 x 20cm
Extraction	x1 Ø230mm
Intraction	x1 Ø230mm
Cable Socks	x1 Ø75mm

Structure Assembly HS150



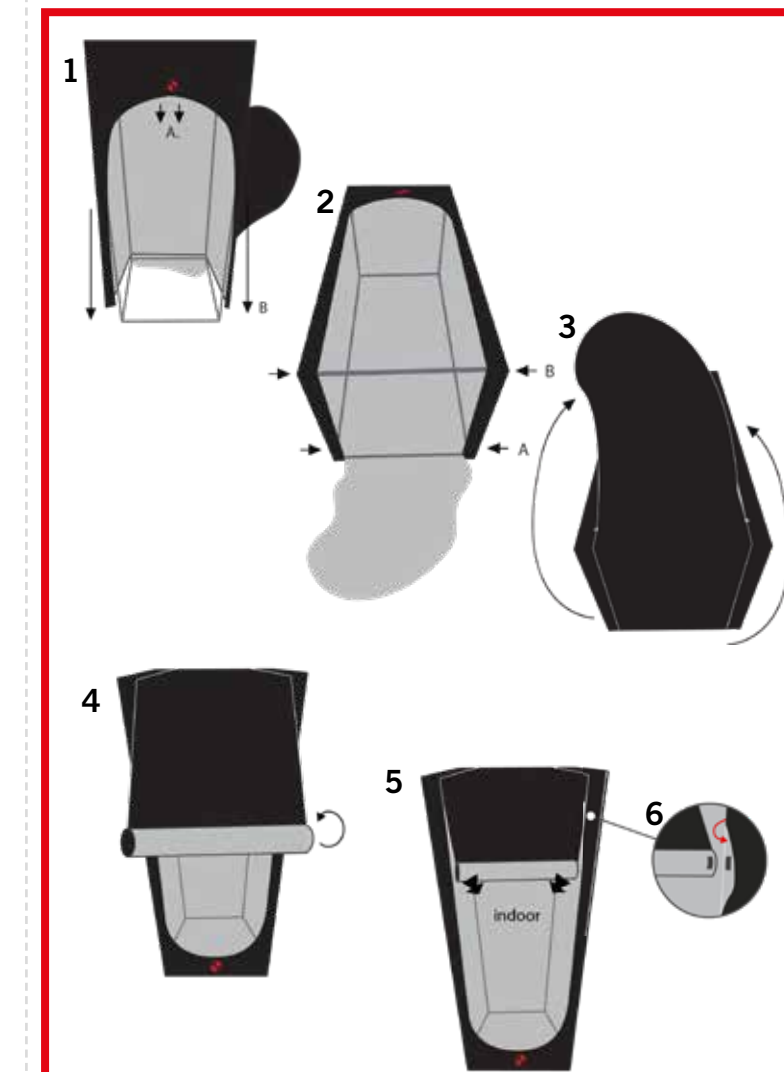
- x8 HS19-B
- x8 HS19-C
- x4 HS19-D
- x4 HS19-E
- x2 HS19-GL
- x2 HS19-GH
- x2 HS19-L

x8 C19-Y

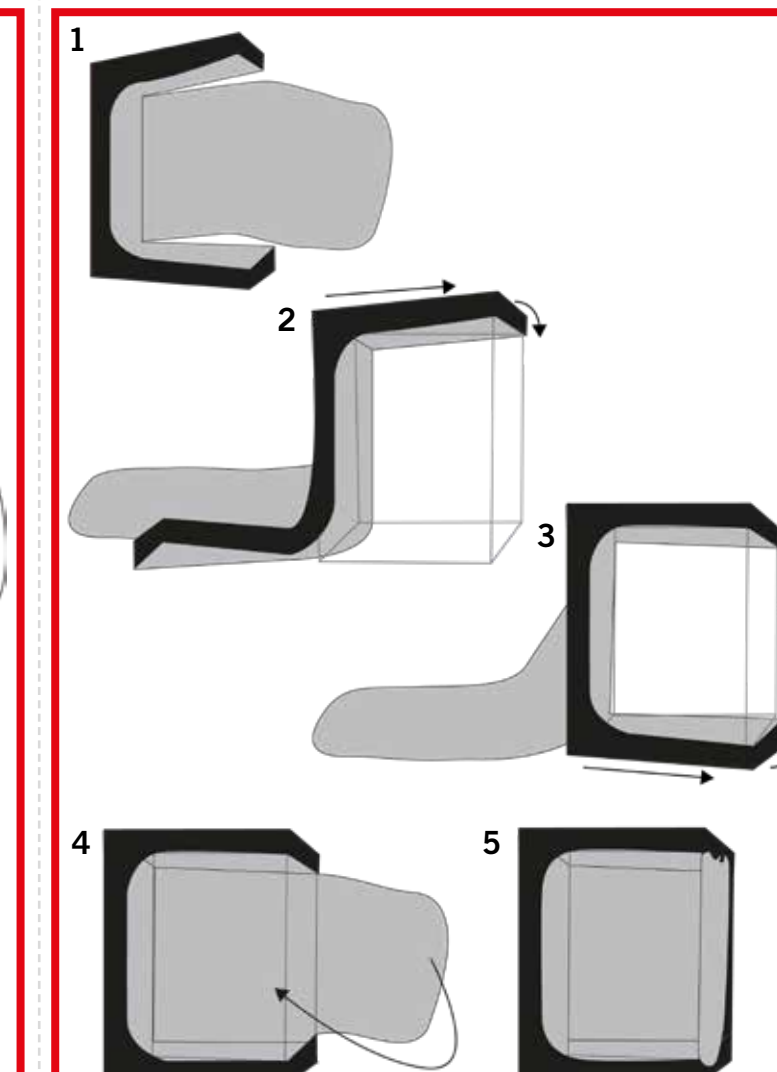
Reference	HS150
Dimensions	150 x 150 x 200cm
Extraction	x1 Ø280mm
Intraction	x1 Ø280mm
Cable Socks	x1 Ø75mm

Fabric Assembly of Hydros shoot range

For the small sizes
(HS60 - HS80 - HS100 - HS120 - HS80p)



For the big sizes
(HS150 - HS240 - HS240w - HS300 - HS300w)



THE BASICS
WITHOUT COMPROMISE



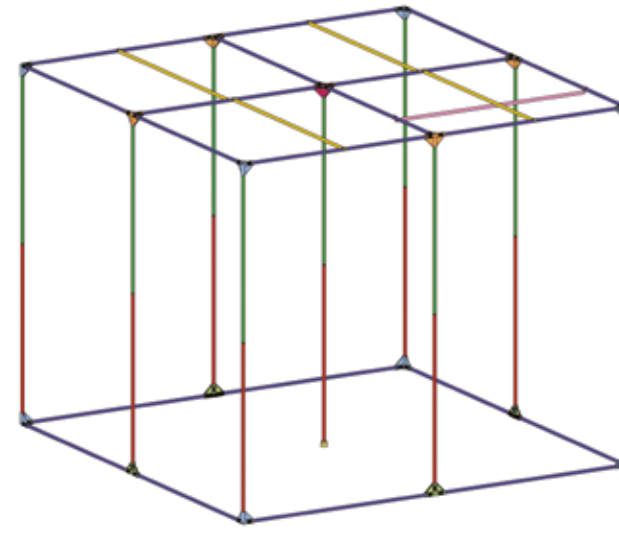
ASSEMBLY INSTRUCTIONS
Q3 - 2018

HYDROSHOOT
HS240

Structure Assembly HS240



- x20 HS16-F
- x9 HS16-D
- x9 HS16-E
- x1 HS16-IL
- x4 HS16-IH



- x8 C16-Y
- x4 C16-K
- x1 C16-XI
- x4 C16-T
- x1 C16-RF

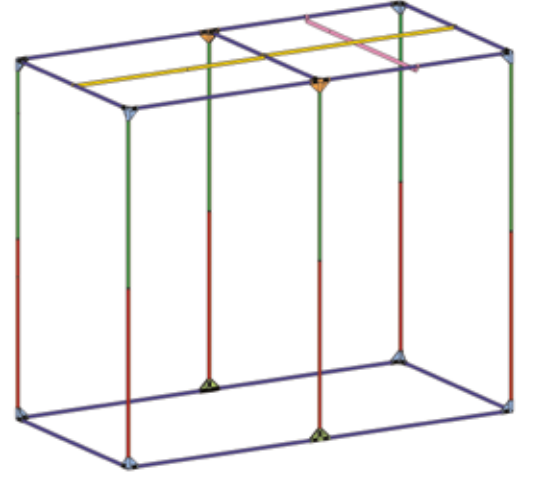
Reference	HS240
Dimensions	240 x 240 x 200cm
Extraction	x1 Ø380mm
Intraction	x1 Ø380mm
Cable Socks	x2 Ø75mm

HYDROSHOOT
HS240W

Structure Assembly HS240w



- x13 HS16-F
- x6 HS16-D
- x6 HS16-E
- x1 HS16-IL
- x2 HS16-IH



- x8 C16-Y
- x2 C16-K
- x2 C16-T

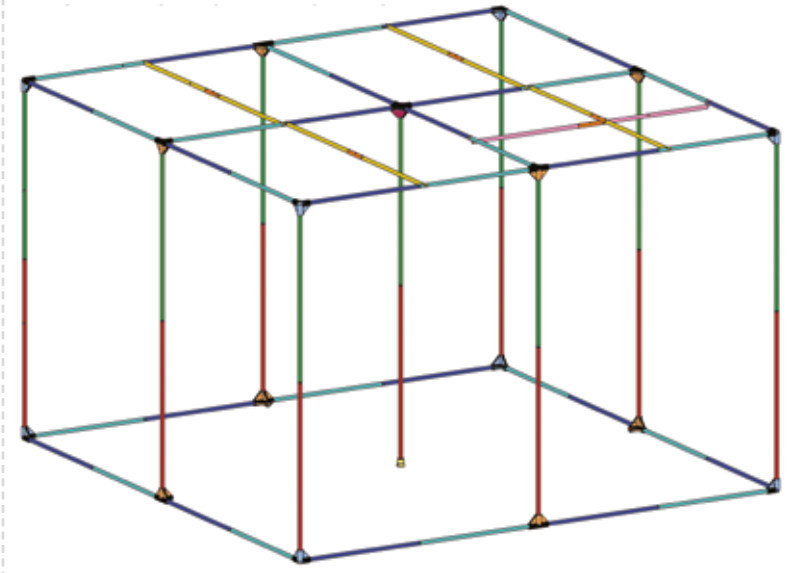
Reference	HS240w
Dimensions	240 x 120 x 200cm
Extraction	x1 Ø280mm
Intraction	x1 Ø280mm
Cable Socks	x1 Ø75mm

HYDROSHOOT
HS300

Structure Assembly HS300



- x20 HS19-B
- x20 HS19-C
- x9 HS19-D
- x9 HS19-E
- x2 HS19-GL
- x8 HS19-GH
- x5 HS19-L



- x8 C19-Y
- x8 C19-K
- x1 C19-XI
- x1 C19-RF

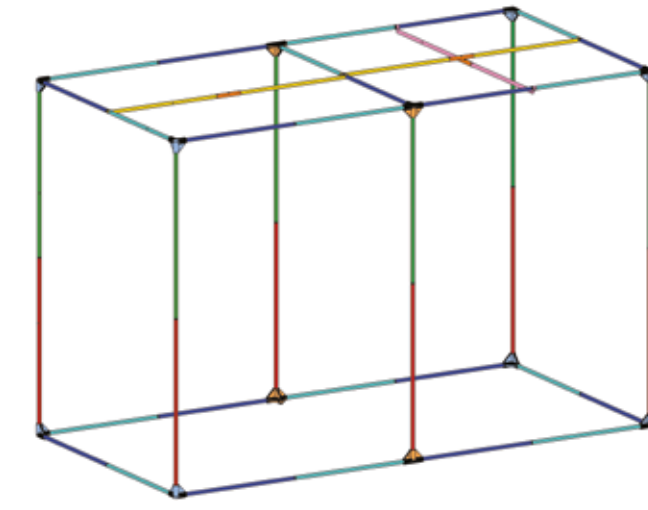
Reference	HS300
Dimensions	300 x 300 x 200cm
Extraction	x1 Ø380mm
Intraction	x1 Ø380mm
Cable Socks	x2 Ø75mm

HYDROSHOOT
HS300W

Structure Assembly HS300w



- x13 HS19-B
- x13 HS19-C
- x6 HS19-D
- x6 HS19-E
- x2 HS19-GL
- x4 HS19-GH
- x3 HS19-L

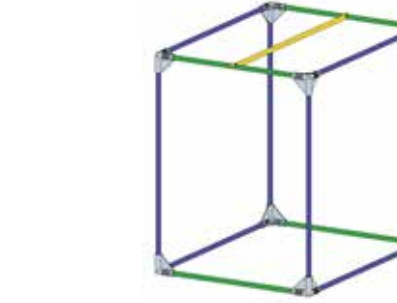


- x8 C19-Y
- x4 C19-K

Reference	HS300w
Dimensions	300 x 150 x 200cm
Extraction	x1 Ø380mm
Intraction	x1 Ø380mm
Cable Socks	x1 Ø75mm

HYDROSHOOT
HS80P

Structure Assembly HS80p



- x8 C16-Y
- x8 HS16-A
- x4 HS16-M
- x1 HS16-GH

Reference	HS80p
Dimensions	80 x 60 x 80cm
Windows	x1 30 x 20cm
Extraction	x1 Ø150mm
Cable Socks	x1 Ø75mm