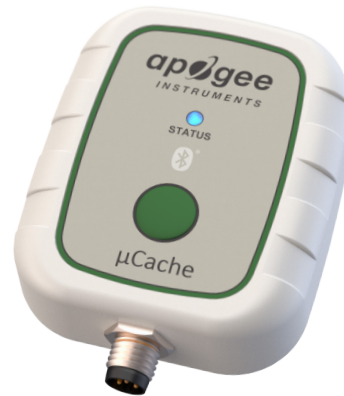
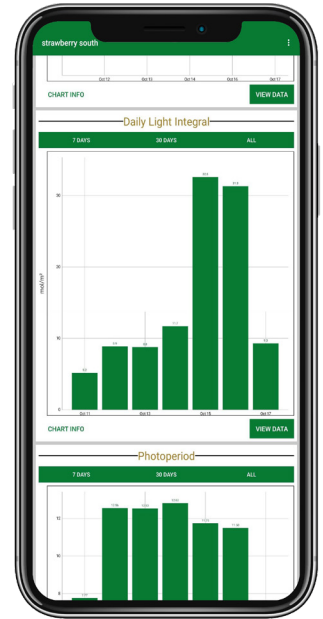


Features

- Stores and transmits real-time data to iOS and Android devices
- View and download data with ApogeeConnect app for mobile devices
- Programmable sampling and logging intervals
- Live meter and datalogger modes
- Large capacity: 9 months of data at a 1-minute logging interval
- High resolution 24 bit analog-to-digital converter
- IP67 rated for harsh environments
- Works with Apogee quantums, pyranometers, infrared radiometers, and more. See our website for a current list of compatible sensors.

ApogeeConnect App



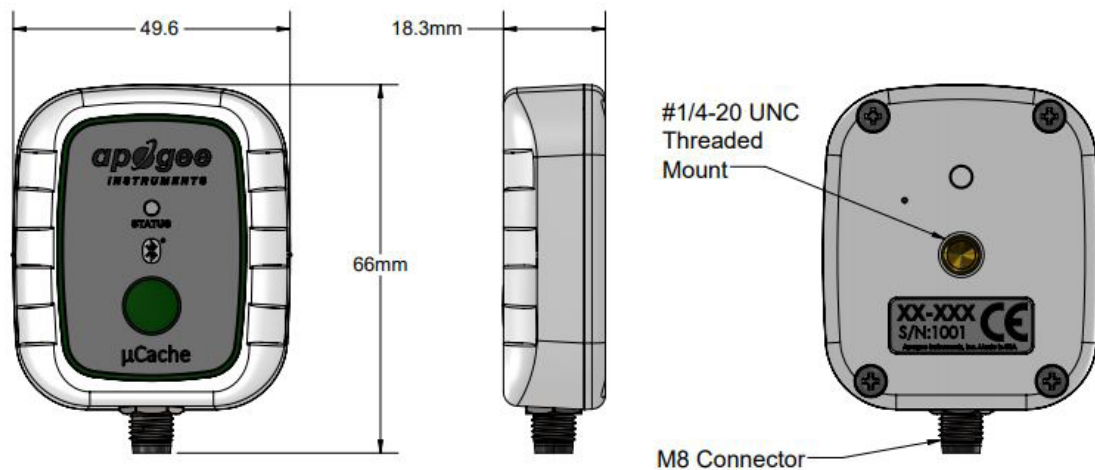
Product Specifications

μCache (AT-100)	
Communication Protocol	Bluetooth [®] Low Energy (Bluetooth 4.0+)
Bluetooth Range	Approx. 45 m (line-of-sight)
Data Logging Capability	Averaging Interval: 1-60 minutes Sampling Interval: ≥ 1 second
Data Log Capacity	Over 400,000 Entries (approx. 9 months at a 1-minute logging interval)
Time Accuracy	± 30 seconds per month at 0° C - 70° C
Battery Type	2/3 AA 3.6 Volt Lithium Battery
Battery Life (impacted by sampling interval and amount of time connected to a mobile app)	Approx. 1 year w/ 10-second sampling interval and an average of 5 minutes daily connected time Approx. 2 years w/ 60-second sampling interval and an average of 5 minutes daily connected time
Operating Environment	-40 to 85 C
Dimensions	66 mm length, 55 mm width, 18 mm height
Weight	52 g
IP Rating	IP67
Connector Type	M8
ADC Resolution	24 bits
Warranty	4 years against defects in materials and workmanship

Overview

The new Apogee μ Cache (microCache) is a rugged, battery-powered, **Bluetooth**[®] Low Energy, single-sensor datalogging device that currently interfaces with most Apogee analog sensors. When used as a standalone field-logging device, the unit features enough memory to store 9 months of 1-minute data using the internal battery. Data can be viewed on your mobile device using our free Apogee Connect App software for iOS and Android devices. ApogeeConnect features live meter mode, real-time graphing, and the ability to wirelessly transmit datasets to your computer.

Dimensions



Packages

Each promotional package includes an analog sensor with a 30 cm or 2 m cable, a μ Cache Bluetooth Micro Logger, a protective Neoprene Case, an extra μ Cache battery, and an Apogee PVC Sensor Platform. When paired, these devices are a powerful tool for monitoring photosynthetically active radiation with research-grade accuracy for optimal plant growth.

PQ-500 Full-spectrum Quantum



See our website for other available packages

